

SHARKY FS 473

FLOW SENSOR | ULTRASONIC

HYDROMETER



APPLICATION

The ultrasonic flow sensor can be used for flow measuring in local and district heating / cooling systems.

FEATURES

- ▶ 1st approval in Europe for ultrasonic flow sensor with a dynamic range of 1:250 ($q_i:q_p$) in class 2
- ▶ extreme low power consumption --> long battery lifetime
- ▶ approved according EN 1434 and MID in class 2 and 3
- ▶ high long term stability, verified with independent AGFW test
- ▶ applicable for different calculators with impulse input
- ▶ free selectable impulse values
- ▶ temperature range 5°C to 90 °C / 130°C / 150°C
- ▶ battery or external powered
- ▶ specific housing for falling and rising pipes

SHARKY FS 473

FLOW SENSOR | ULTRASONIC

GENERAL

SHARKY FS 473	
Application	heating - cooling
Approval	EN1434 class 2: q_p 0.6 ... 6m ³ /h; MID: q_p 0.6 ... 60m ³ /h
Ambient class	EN 1434 class C / MID class E1 + M1
Ambient Temperature	°C 5 ... 55
Power supply	3.0 VDC battery - max. 12 years lifetime; external supply 3.0 ... 5.5 VDC
Mounting position	any position
Protection class	heating: IP 54; cooling: IP 65
Interfaces	Open Collector pulse output ¹ - output for testing and communication ²
Volume pulse value ³	1 ml ... 5000 l/pulse

1: The pulse output can be chosen without galvanic isolation (standard) or with galvanic isolation (only with battery supply). The flow sensor has by default a 4 wire impulse cable with a length of 2.5m (5 or 10m optional)

2: The output for testing is a combined pulse output. The flow sensor can either emit a high resolution test pulse (standard) or communicate via the same output. By using an adapter the flow sensor can be read via the HYDRO-SET software.

3: The pulse duration is between 1 and 250 ms. It depends on the pulse value and on the nominal flow rate q_p .

Standard pulse values: 1, 2.5, 10, 25, 100, 250 l/pulse

TEMPERATURE RANGE

SHARKY FS 473	
Temperature range heating - battery supplied	°C 5 ... 90 / 5 ... 105 ¹
Temperature range heating - external supplied	°C q_p 0.6 ... 2.5m ³ /h: 5 ... 130; q_p 3.5, 10 ... 60m ³ /h: 5 ... 150 ¹ ; q_p 6m ³ /h: 5 ... 150 ²
Temperature range cooling	°C 5 ... 90 / 5 ... 105 ¹

1: Only in rising or falling pipes or tilted horizontal installation

2: In any mounting position

SHARKY FS 473

FLOW SENSOR | ULTRASONIC

TECHNICAL DATA

Nominal flow rate	q _p	m ³ /h	0.6	0.6	0.6	1.5	1.5	1.5	2.5	2.5
Nominal diameter	DN	mm	15	20	20	15	20	20	20	20
Overall length	L	mm	110	130	190	110	130	190	190	130
Starting flow rate		l/h	1	1	1	2.5	2.5	2.5	4	4
Minimum flow rate	q _i	l/h	6	6	6	6	6	6	10	10
Maximum flow rate	q _s	m ³ /h	1.2	1.2	1.2	3	3	3	5	5
Overload flow rate		m ³ /h	2.5	2.5	2.5	4.6	4.6	4.6	6.7	6.7
Operating pressure	PN	bar	16 ¹	16 ¹	16 ¹	16 ¹	16 ¹	16 ¹	16 ¹	16 ¹
Pressure loss at q _p	Δp	mbar	85	85	85	75	75	75	100	100
Test pulse value		ml/pulse	5	5	5	10	10	10	20	20
Flow resistance coefficient	Zeta		21.3	67.5	67.5	4.3	13.6	13.6	4	4

Nominal flow rate	q _p	m ³ /h	3.5	3.5	3.5	3.5	3.5	6	6	6
Nominal diameter	DN	mm	25	25	32	25	32	25	25	32
Overall length	L	mm	135	150	150	260	260	135	150	150
Starting flow rate		l/h	7	7	7	7	7	7	7	7
Minimum flow rate	q _i	l/h	35	35	35	35	35	24	24	24
Maximum flow rate	q _s	m ³ /h	7	7	7	7	7	12	12	12
Overload flow rate		m ³ /h	18.4	18.4	18.4	18.4	18.4	18.4	18.4	18.4
Operating pressure	PN	bar	16 ¹	16 ¹	16 ¹	16 ¹	16 ¹	16 ¹	16 ¹	16 ¹
Pressure loss at q _p	Δp	mbar	44	44	44	44	44	128	128	128
Test pulse value		ml/pulse	20	20	20	20	20	50	50	50
Flow resistance coefficient	Zeta		2.8	2.8	2.8	2.8	7.4	2.8	2.8	2.8

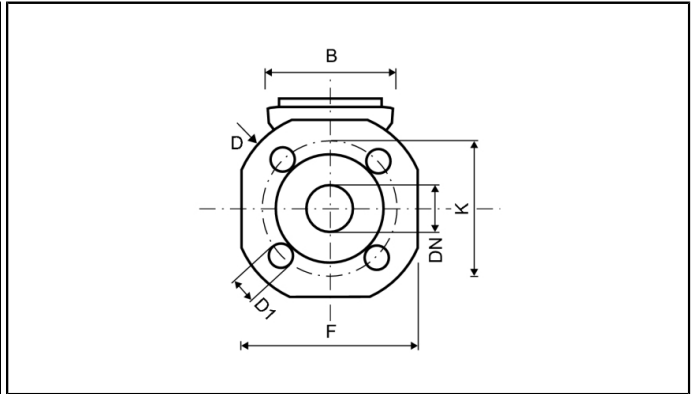
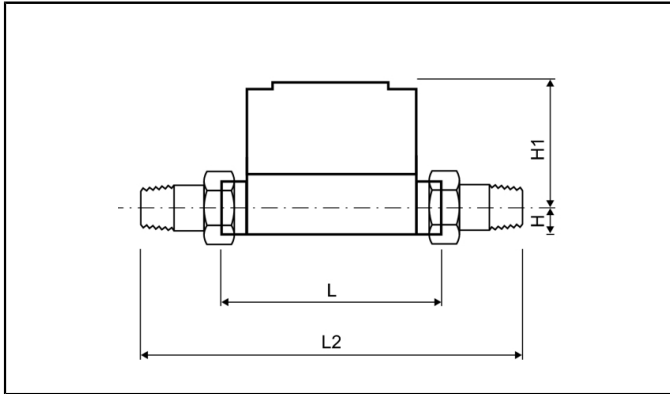
Nominal flow rate	q _p	m ³ /h	6	6	10	15	25	40	60
Nominal diameter	DN	mm	25	32	40	50	65	80	100
Overall length	L	mm	260	260	300	270	300	300	360
Starting flow rate		l/h	7	7	20	40	50	80	120
Minimum flow rate	q _i	l/h	24	24	40 ³ /100	60 ³ /150	100 ³ /250	160 ³ /400	240 ³ /600 ⁴ /120
Maximum flow rate	q _s	m ³ /h	12	12	20	30	50	80	120
Overload flow rate		m ³ /h	18.4	18.4	24	36	60	90	132
Operating pressure	PN	bar	16 ¹	16 ¹	16 ¹	25 ²	25 ²	25 ²	16/25 ²
Pressure loss at q _p	Δp	mbar	128	128	95	80	75	80	75
Test pulse value		ml/pulse	50	50	100	100	200	300	500
Flow resistance coefficient	Zeta		2.8	7.4	3.8	3.5	3.4	3.4	3.8

- 1: Also available in PN 25 bar
- 2: Also available in PN 40 bar
- 3: Only for horizontal installation
- 4: Only in rising or falling pipes or tilted installation
- 5: Only up side down installation

SHARKY FS 473

FLOW SENSOR | ULTRASONIC

DIMENSIONS THREAD VERSION



Nominal flow rate	q _p	m ³ /h	0.6	0.6	0.6	1.5	1.5	1.5	2.5	2.5
Nominal diameter	DN	mm	15	20	20	15	20	20	20	20
Overall length	L	mm	110	130	190	110	130	190	190	130
Overall length with coupling	L2	mm	190	230	-	190	230	-	-	230
Height	H	mm	14.5	18	18	14.5	18	18	18	18
Height	H1	mm	54.5	56.5	56.5	54.5	56.5	56.5	56.5	56.5
Length of electronic	L1	mm	90	90	90	90	90	90	90	90
Width of electronic	B	mm	65.5	65.5	65.5	65.5	65.5	65.5	65.5	65.5
Connection thread on meter		Inch	G $\frac{3}{4}$ B	G1B	G1B	G $\frac{3}{4}$ B	G1B	G1B	G1B	G1B
Connection thread of coupling		Inch	R $\frac{1}{2}$	R $\frac{3}{4}$	R $\frac{3}{4}$	R $\frac{1}{2}$	R $\frac{3}{4}$	R $\frac{3}{4}$	R $\frac{3}{4}$	R $\frac{3}{4}$
Weight		kg	0.6	0.61	0.63	0.6	0.61	0.63	0.63	0.61

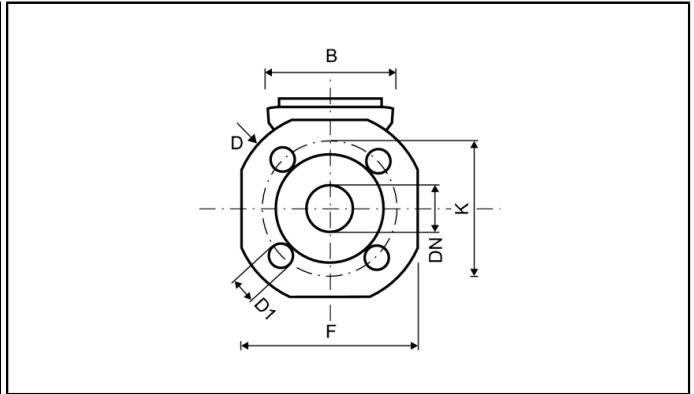
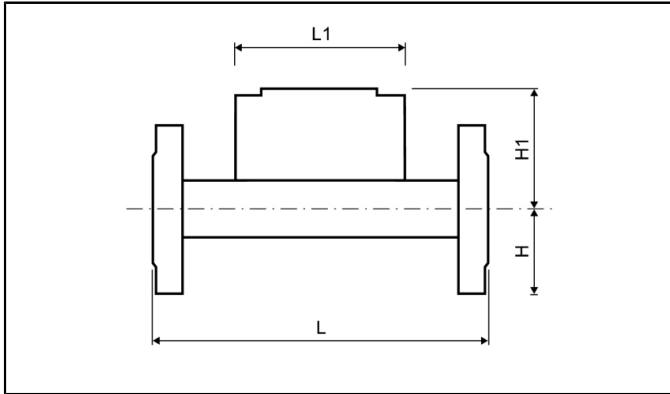
Nominal flow rate	q _p	m ³ /h	3.5	3.5	3.5	3.5	3.5	6	6	6
Nominal diameter	DN	mm	25	25	32	25	32	25	25	32
Overall length	L	mm	135	150	150	260	260	135	150	150
Overall length with coupling	L2	mm	380	380	380	380	-	380	380	380
Height	H	mm	23	23	23	23	-	23	23	23
Height	H1	mm	61	61	61	61	-	61	61	61
Length of electronic	L1	mm	90	90	90	90	-	90	90	90
Width of electronic	B	mm	65.5	65.5	65.5	65.5	-	65.5	65.5	65.5
Connection thread on meter		Inch	G1 $\frac{1}{4}$ B	G1 $\frac{1}{4}$ B	G1 $\frac{1}{2}$ B	G1 $\frac{1}{4}$ B	-	G1 $\frac{1}{4}$ B	G1 $\frac{1}{4}$ B	G1 $\frac{1}{2}$ B
Connection thread of coupling		Inch	R1	R1	R1 $\frac{1}{4}$	R1	-	R1	R1	R1 $\frac{1}{4}$
Weight		kg	0.88	0.93	1.08	1.35	-	0.88	0.93	1.08

Nominal flow rate	q _p	m ³ /h	6	6	10	15	25	40	60
Nominal diameter	DN	mm	25	32	40	50	65	80	100
Overall length	L	mm	260	260	300	270	300	300	360
Overall length with coupling	L2	mm	380	-	440	-	-	-	-
Height	H	mm	23	-	33	-	-	-	-
Height	H1	mm	61	-	66.5	-	-	-	-
Length of electronic	L1	mm	90	-	90	-	-	-	-
Width of electronic	B	mm	65.5	-	65.5	-	-	-	-
Connection thread on meter		Inch	G1 $\frac{1}{4}$ B	-	G2B	-	-	-	-
Connection thread of coupling		Inch	R1	-	R1 $\frac{1}{2}$	-	-	-	-
Weight		kg	1.35	-	2.6	-	-	-	-

SHARKY FS 473

FLOW SENSOR | ULTRASONIC

DIMENSIONS FLANGE VERSION



Nominal flow rate	q _P	m ³ /h	0.6	0.6	0.6	1.5	1.5	1.5	2.5	2.5
Nominal diameter	DN	mm	15	20	20	15	20	20	20	20
Overall length	L	mm	110	130	190	110	130	190	190	130
Height	H	mm	-	-	47.5	-	-	47.5	47.5	-
Height	H1	mm	-	-	56.5	-	-	56.5	56.5	-
Length of electronic	L1	mm	-	-	90	-	-	90	90	-
Width of electronic	B	mm	-	-	65.5	-	-	65.5	65.5	-
Flange dimension	F	mm	-	-	95	-	-	95	95	-
Flange diameter	D	mm	-	-	105	-	-	105	105	-
Hole circle diameter	K	mm	-	-	75	-	-	75	75	-
Screw hole diameter	D1	mm	-	-	14	-	-	14	14	-
Number of screw holes		pcs	-	-	4	-	-	4	4	-
Weight		kg	-	-	2.7	-	-	2.7	2.7	-

Nominal flow rate	q _P	m ³ /h	3.5	3.5	3.5	3.5	3.5	6	6	6
Nominal diameter	DN	mm	25	25	32	25	32	25	25	32
Overall length	L	mm	135	150	150	260	260	135	150	150
Height	H	mm	-	-	-	50	62.5	-	-	-
Height	H1	mm	-	-	-	61	61	-	-	-
Length of electronic	L1	mm	-	-	-	90	90	-	-	-
Width of electronic	B	mm	-	-	-	65.5	65.5	-	-	-
Flange dimension	F	mm	-	-	-	100	125	-	-	-
Flange diameter	D	mm	-	-	-	114	139	-	-	-
Hole circle diameter	K	mm	-	-	-	85	100	-	-	-
Screw hole diameter	D1	mm	-	-	-	14	18	-	-	-
Number of screw holes		pcs	-	-	-	4	4	-	-	-
Weight		kg	-	-	-	3.35	4.65	-	-	-

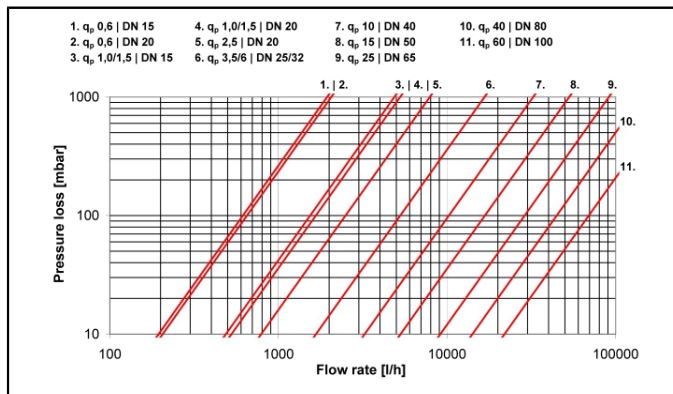
Nominal flow rate	q _P	m ³ /h	6	6	10	15	25	40	60
Nominal diameter	DN	mm	25	32	40	50	65	80	100
Overall length	L	mm	260	260	300	270	300	300	360
Height	H	mm	50	62.5	69	73.5	85	92.5	108
Height	H1	mm	61	61	66.5	71.5	79	86.5	96.5
Length of electronic	L1	mm	90	90	90	90	90	90	90
Width of electronic	B	mm	65.5	65.5	65.5	65.5	65.5	65.5	65.5
Flange dimension	F	mm	100	125	138	147	170	185	216
Flange diameter	D	mm	114	139	148	163	184	200	235
Hole circle diameter	K	mm	85	100	110	125	145	160	180 ¹ / 190
Screw hole diameter	D1	mm	14	18	18	18	18	19	19 ¹ / 22
Number of screw holes		pcs	4	4	4	4	8	8	8
Weight		kg	3.35	4.65	6.6	7.45	9.45	11.1	16.9

1: values for PN 16 housing

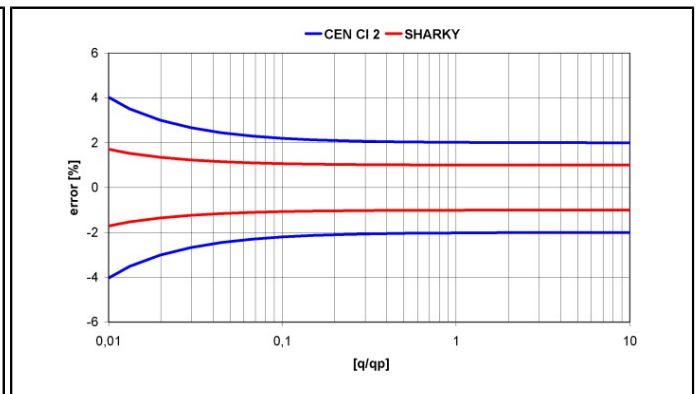
SHARKY FS 473

FLOW SENSOR | ULTRASONIC

PRESSURE LOSS GRAPH / TYPICAL ERROR GRAPH




Pressure loss graph



Typical error graph

HYDROMETER

HYDROMETER GmbH · Postfach 1462 · 91505 Ansbach
 Tel. +49 981 1806-0 · Fax: +49 981 1806-615 · info@hydrometer.de · www.hydrometer.de
 Subject to technical adjustments

 smart in solutions

09.07.2012 · 6