

Radio Module for Wehrle Modularis water meter



Application

The retrofittable radio module **Supercom 581** is suitable for the large range of water meters of E. Wehrle GmbH:

- Modularis single-jet and multi-jet dry-rotor meters
- Modularis cylindrical piston meters
- and various versions of EAS-Modular measuring capsules

It can be retrofitted at any time without impairing the calibration. The bidirectional SONTEX radio system allows the readout of the consumption data via a mobile radio modem Supercom 636 or over the radio central Supercom 646.

Function

The battery-operated radio module **Supercom 581** scans the volume pulses of the water meter, accumulates them and stores the consumption data in this internal memory.

The scan guarantees a precise and correct detection of the backward and forward modulation indicator motion.

The radio module is equipped with an optical manipulation protection. If the housing of the radio module is removed and/or opened, the electronic manipulation protection triggers an error message.

Stored Data

- Identification number (serial number water meter)
- Medium: cold or warm water
- Serial number (radio module address)
- Current time and date
- Accumulated volume
- 15 monthly values
- Operating hours of battery
- Manipulation protection: date of the last manipulation and the accumulated duration of all manipulations in minutes
- Magnetic contact detection: with date of the last magnetic contact detection and the accumulated duration of all manipulations
- Pulse value
- Number of counter resets

Programming data

With the software Tools Supercom following parameters can be programmed:

- Water meter ID and medium: cold or warm water
- Current date and time
- Initialisation of the totalizer and of the 15 monthly values
- Reset to delivery (sleeping) mode or set to operating mode
- Password for the secured access to the programming

Technical Data

General

Permanent flow	MID: Q ₃ 2.5 - 6.3 m ³ /h Q ₃ 10 - 25 m ³ /h
Nominal flow	EWG: Q _n 1.5 - 3.5m ³ /h Q _n 6 - 15m ³ /h
Pulse value	1 l/Imp
Operating temperature	5 to 55°C
Storage temperature	-20 to 70°C

Housing

Protection class	IP68 Maximum 7 days permanent Maximum 1 m of water depth static Temperature range 7°C – 35°C IP67 outside of the above mentioned conditions
------------------	---

Conformity

CE	acc. to RED 2014/53/EU
-----------	------------------------

Radio

Method	FSK, bidirectional
Frequency	433.82 MHz
Protocol	Radian, EN60870-5 (M-Bus)
Baud rate	2'400 Baud
Range	approx. 30 m, depending on building structure

Data Memory

EEPROM	Daily storing
--------	---------------

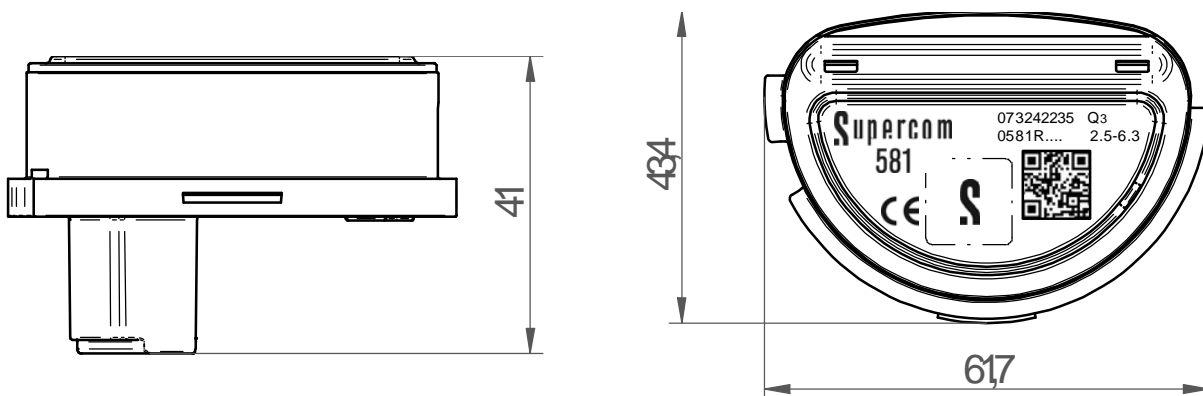
Electronic Data

Main supply	Lithium Metal Battery (≤ 1g) 3VDC
Service life	Maximum 11 years

Optical Interface

Protocol	EN60870-5 (M-Bus)
Baud rate	2'400 Baud

Dimensional Drawing



Technical Support

For technical support, please contact your local Sontex agent or Sontex SA directly.

Hotline Sontex: sontex@sontex.ch, +41 32 488 30 04

The detailed declaration of conformity can be found on our homepage: www.sontex.ch

Technical modifications subject to change without notice

Data Sheet Supercom 581 EN 22-06-2017

© Sontex SA 2013